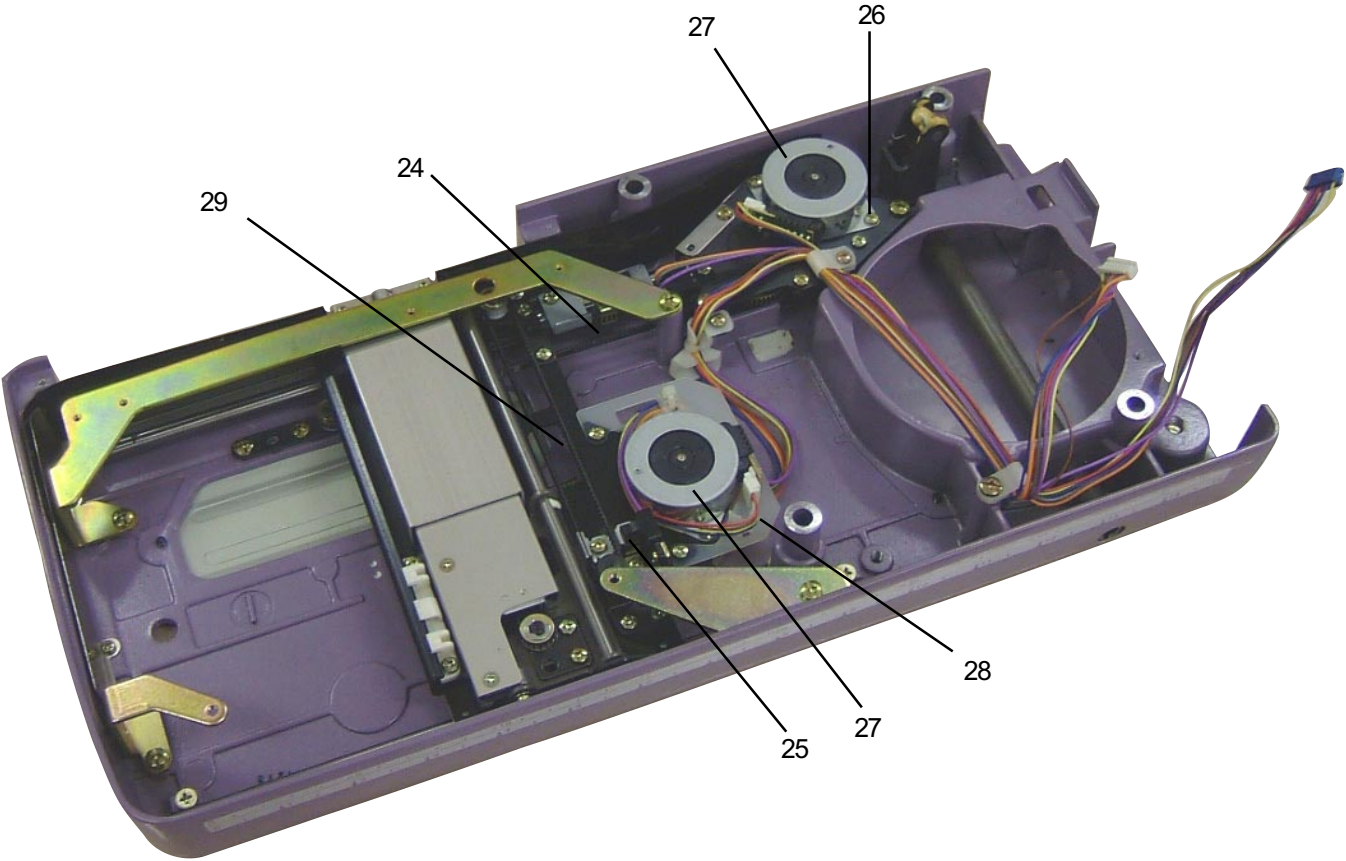
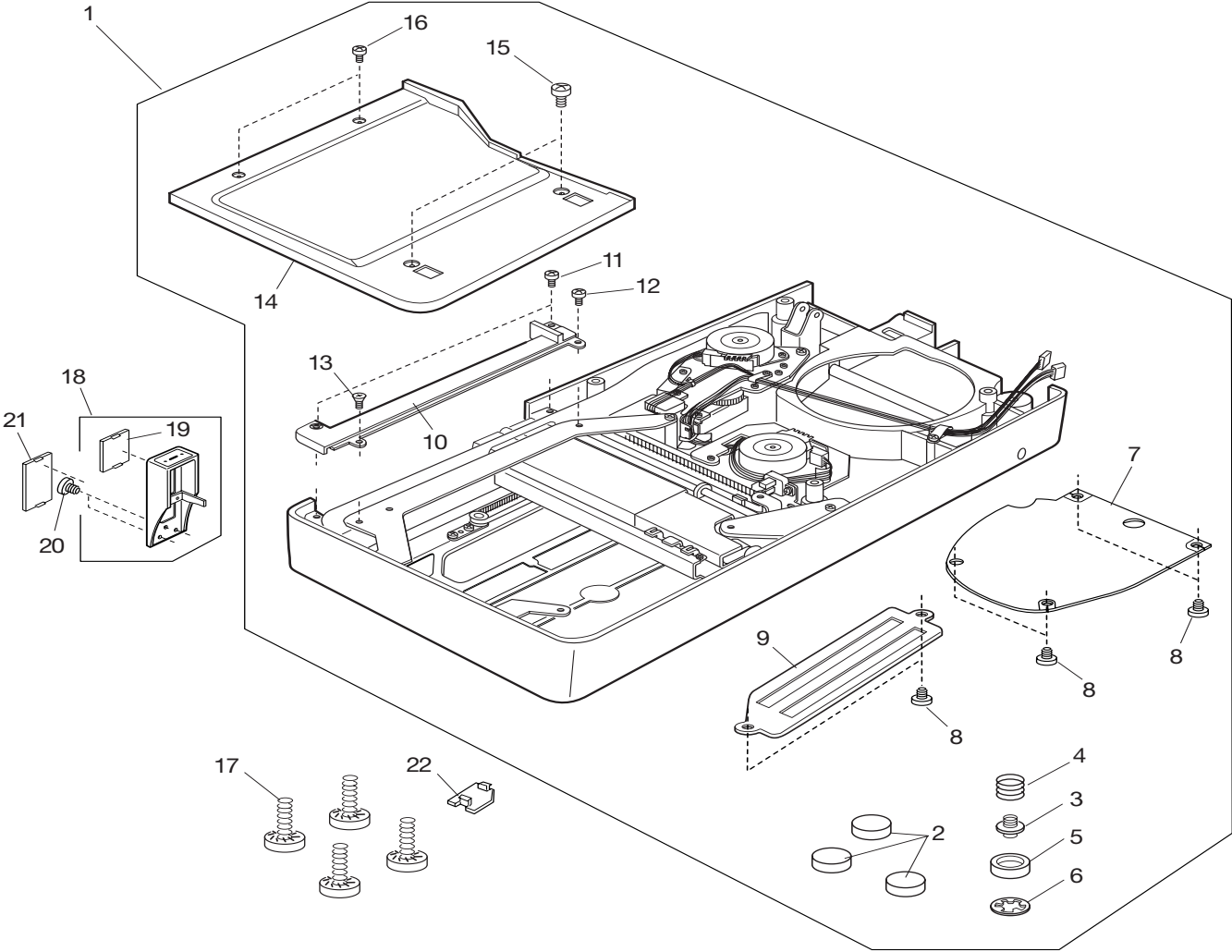


For MC10000 & MC10001



For MC10000 & 10001

Ref.	Part No.	Description
1	850622106	Base unit for MC10000
	850622302	Base unit for MC10001
2	830150003	Rubber cushion
3	820350004	Adjusting screw
4	820351005	Spring
5	605074008	Rubber cushion
6	813123004	CS ring
7	850151109	Base lid
8	830267004	Set screw
9	832146002	Base lid (1)
10	850147102	Sheet cover
11	000066727	Set screw
12	000101105	Set screw
13	000128201	Set screw
14	850152100	Base cover
15	000101426	Set screw
16	000101127	Set screw
17	000127107	Set screw
18	850627008	Carriage plate unit
19	850169007	Carriage cover plate (2)
20	000115009	Set screw
21	850156001	Carriage cover plate
22	832168000	Base lid (3)
23	850141003	Dust cover
24	850106006	Timing belt 380
25	832541300	Photo interrupter
26	850623004	X motor unit
27	850511008	Stepping motor 42 unit
28	850625006	Y carriage unit
29	850166009	Timing belt 290